

① AH-EC22030

Model	EK-850LU EK-1100LU
Panel	WUXGA
Aspect	16 10
Lens	AH-EC22030

Throw Position	
Vmin	-10%V
Vmax	50%V
Hmax	20%H
V	50%V
H	20%H

	a	b
Wide	17.4	39.0
Tele	24.4	41.5

$L=aS-b$

L(mm):Throw Distance

S(inch):Screen Size

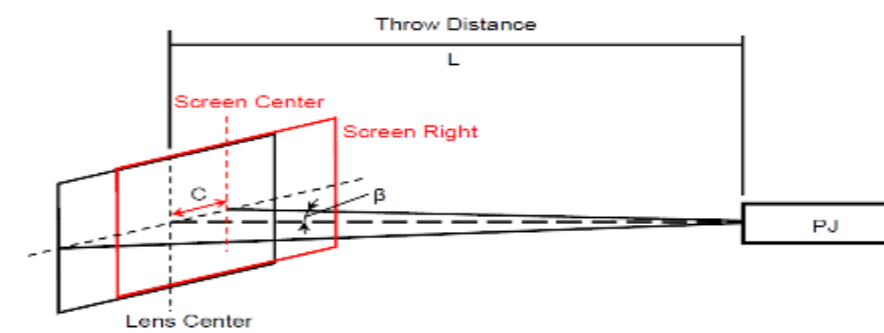
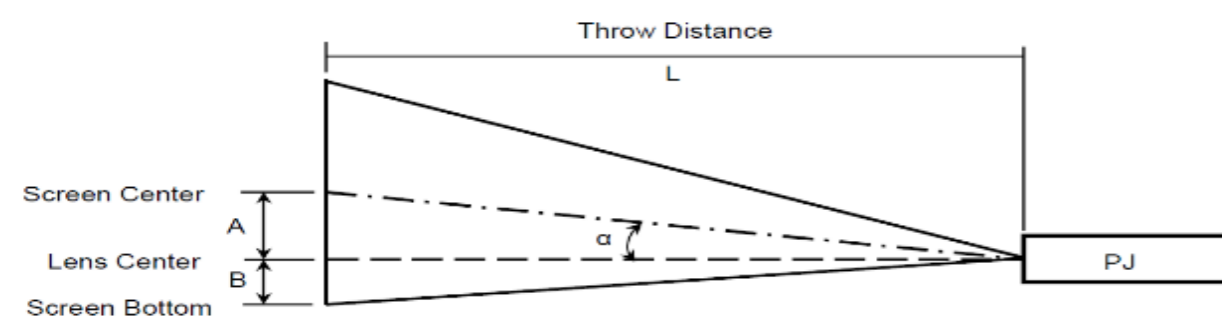
 : When input a number, the value in red will be re-calculated.

 : Specification value on brochure.

Screen Size						Throw Distance				V Shift						Throw Ratio							
						L				A			B										
Diagonal		Width		Height		wide		tele		Lens Shift MAX		Lens Shift (calculated)		Lens Shift MIN		Lens Shift MAX		Lens Shift (calculated)		Lens Shift MIN		wide	tele
inch	mm	inch	mm	inch	mm	inch	mm	inch	mm	inch	mm	inch	mm	inch	mm	inch	mm	inch	mm	inch	mm		
50	1270	42	1077	26	673	32.7	830	46.3	1177	13.2	337	13.2	337	-2.6	-67	0.0	0	0.0	0	-15.9	-404	0.77	1.09
60	1524	51	1292	32	808	39.5	1003	55.9	1421	15.9	404	15.9	404	-3.2	-81	0.0	0	0.0	0	-19.1	-485	0.78	1.10
80	2032	68	1723	42	1077	53.2	1351	75.1	1908	21.2	538	21.2	538	-4.2	-108	0.0	0	0.0	0	-25.4	-646	0.78	1.11
90	2286	76	1939	48	1212	60.0	1525	84.7	2152	23.8	606	23.8	606	-4.8	-121	0.0	0	0.0	0	-28.6	-727	0.79	1.11
100	2540	85	2154	53	1346	66.9	1698	94.3	2395	26.5	673	26.5	673	-5.3	-135	0.0	0	0.0	0	-31.8	-808	0.79	1.11
120	3048	102	2585	64	1615	80.6	2046	113.5	2883	31.8	808	31.8	808	-6.4	-162	0.0	0	0.0	0	-38.2	-969	0.79	1.12
150	3810	127	3231	79	2019	101.1	2567	142.3	3614	39.7	1010	39.7	1010	-7.9	-202	0.0	0	0.0	0	-47.7	-1212	0.79	1.12
180	4572	153	3877	95	2423	121.6	3088	171.1	4345	47.7	1212	47.7	1212	-9.5	-242	0.0	0	0.0	0	-57.2	-1454	0.80	1.12
200	5080	170	4308	106	2692	135.2	3435	190.2	4832	53.0	1346	53.0	1346	-10.6	-269	0.0	0	0.0	0	-63.6	-1615	0.80	1.12
240	6096	204	5169	127	3231	162.6	4130	228.6	5807	63.6	1615	63.6	1615	-12.7	-323	0.0	0	0.0	0	-76.3	-1939	0.80	1.12
270	6858	229	5816	143	3635	183.1	4652	257.4	6538	71.5	1817	71.5	1817	-14.3	-363	0.0	0	0.0	0	-85.9	-2181	0.80	1.12
300	7620	254	6462	159	4039	203.7	5173	286.2	7269	79.5	2019	79.5	2019	-15.9	-404	0.0	0	0.0	0	-95.4	-2423	0.80	1.12
500	12700	424	10770	265	6731	340.4	8647	478.1	12143	132.5	3365	132.5	3365	-26.5	-673	0.0	0	0.0	0	-159.0	-4039	0.80	1.13

※When screen bottom is lower than lens center, B's value is negative.

Screen Size						Throw Distance				H Shift					
						L				C					
Diagonal		Width		Height		wide		tele		Lens Shift MAX(Right)		Lens Shift (calculated)		Lens Shift MIN(Left)	
inch	mm	inch	mm	inch	mm	inch	mm	inch	mm	inch	mm	inch	mm	inch	mm
50	1270	42	1077	26	673	32.7	830	46.3	1177	8.5	215	8.5	215	-8.5	-215
60	1524	51	1292	32	808	39.5	1003	55.9	1421	10.2	258	10.2	258	-10.2	-258
80	2032	68	1723	42	1077	53.2	1351	75.1	1908	13.6	345	13.6	345	-13.6	-345
90	2286	76	1939	48	1212	60.0	1525	84.7	2152	15.3	388	15.3	388	-15.3	-388
100	2540	85	2154	53	1346	66.9	1698	94.3	2395	17.0	431	17.0	431	-17.0	-431
120	3048	102	2585	64	1615	80.6	2046	113.5	2883	20.4	517	20.4	517	-20.4	-517
150	3810	127	3231	79	2019	101.1	2567	142.3	3614	25.4	646	25.4	646	-25.4	-646
180	4572	153	3877	95	2423	121.6	3088	171.1	4345	30.5	775	30.5	775	-30.5	-775
200	5080	170	4308	106	2692	135.2	3435	190.2	4832	33.9	862	33.9	862	-33.9	-862
240	6096	204	5169	127	3231	162.6	4130	228.6	5807	40.7	1034	40.7	1034	-40.7	-1034
270	6858	229	5816	143	3635	183.1	4652	257.4	6538	45.8	1163	45.8	1163	-45.8	-1163
300	7620	254	6462	159	4039	203.7	5173	286.2	7269	50.9	1292	50.9	1292	-50.9	-1292
500	12700	424	10770	265	6731	340.4	8647	478.1	12143	84.8	2154	84.8	2154	-84.8	-2154



A=Vertical distance between lens center and screen center
B=Vertical distance between lens center and bottom of screen (top of screen for ceiling application)
L=Throw distance

NOTE:Distance may vary +/-5%

② AH-EC21020

Model	EK-850LU EK-1100LU	
Panel	WUXGA	
Aspect	16	10
Lens	AH-EC21020	

Throw Position	
Vmin	-10%V
Vmax	50%V
Hmax	20%H
V	50%V
H	20%H

	a	b
Wide	28.5	44.8
Tele	65.4	39.1

$L=aS-b$

L(mm): Throw Distance

S(inch): Screen Size

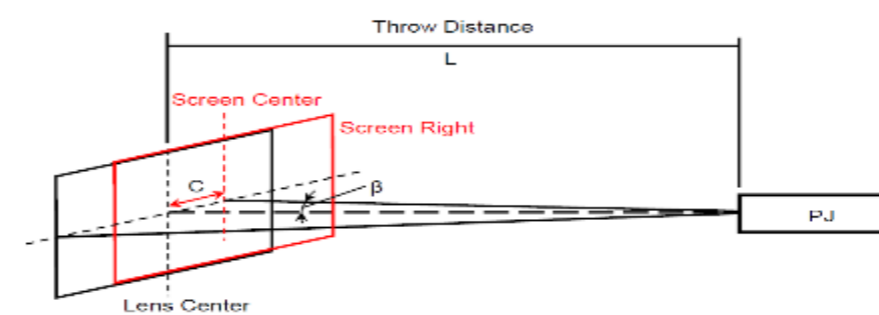
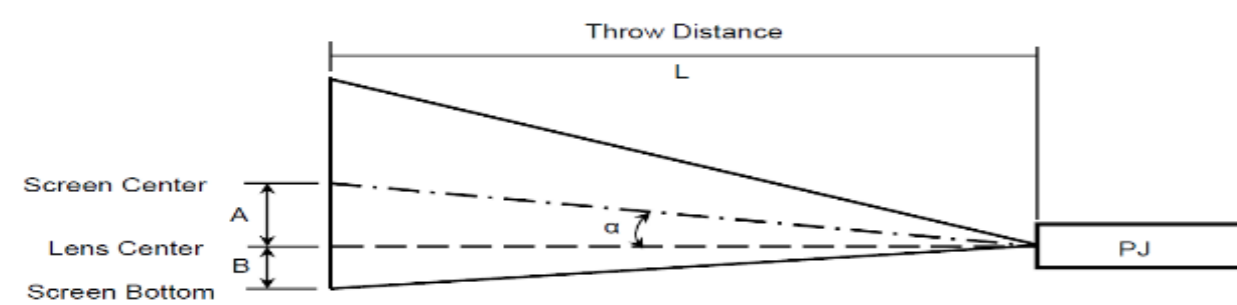
 : When input a number, the value in red will be re-calculated.

 : Specification value on brochure.

Screen Size						Throw Distance				V Shift						Throw Ratio							
						L		A		B		wide	tele										
Diagonal	Width		Height		wide	tele	Lens Shift MAX	Lens Shift (calculated)	Lens Shift MIN	Lens Shift MAX	Lens Shift (calculated)			Lens Shift MIN									
inch	mm	inch	mm	inch	mm	inch	mm	inch	mm	inch	mm	inch	mm	inch	mm	inch	mm	inch	mm				
50	1270	42	1077	26	673	54.3	1380	127.1	3228	13.2	337	13.2	337	-2.6	-67	0.0	0	0.0	0	-15.9	-404	1.28	3.00
60	1524	51	1292	32	808	65.6	1665	152.8	3882	15.9	404	15.9	404	-3.2	-81	0.0	0	0.0	0	-19.1	-485	1.29	3.00
80	2032	68	1723	42	1077	88.0	2235	204.3	5189	21.2	538	21.2	538	-4.2	-108	0.0	0	0.0	0	-25.4	-646	1.30	3.01
90	2286	76	1939	48	1212	99.2	2520	230.0	5842	23.8	606	23.8	606	-4.8	-121	0.0	0	0.0	0	-28.6	-727	1.30	3.01
100	2540	85	2154	53	1346	110.4	2804	255.7	6496	26.5	673	26.5	673	-5.3	-135	0.0	0	0.0	0	-31.8	-808	1.30	3.02
120	3048	102	2585	64	1615	132.8	3374	307.2	7803	31.8	808	31.8	808	-6.4	-162	0.0	0	0.0	0	-38.2	-969	1.31	3.02
150	3810	127	3231	79	2019	166.5	4229	384.4	9763	39.7	1010	39.7	1010	-7.9	-202	0.0	0	0.0	0	-47.7	-1212	1.31	3.02
180	4572	153	3877	95	2423	200.2	5084	461.6	11724	47.7	1212	47.7	1212	-9.5	-242	0.0	0	0.0	0	-57.2	-1454	1.31	3.02
200	5080	170	4308	106	2692	222.6	5654	513.0	13031	53.0	1346	53.0	1346	-10.6	-269	0.0	0	0.0	0	-63.6	-1615	1.31	3.02
240	6096	204	5169	127	3231	267.4	6793	615.9	15645	63.6	1615	63.6	1615	-12.7	-323	0.0	0	0.0	0	-76.3	-1939	1.31	3.03
270	6858	229	5816	143	3635	301.1	7648	693.1	17605	71.5	1817	71.5	1817	-14.3	-363	0.0	0	0.0	0	-85.9	-2181	1.32	3.03
300	7620	254	6462	159	4039	334.8	8503	770.3	19566	79.5	2019	79.5	2019	-15.9	-404	0.0	0	0.0	0	-95.4	-2423	1.32	3.03
500	12700	424	10770	265	6731	559.1	14201	1284.9	32636	132.5	3365	132.5	3365	-26.5	-673	0.0	0	0.0	0	-159.0	-4039	1.32	3.03

※When screen bottom is lower than lens center, B's value is negative.

Screen Size						Throw Distance				H Shift					
						L		C		MAX(Right)		MIN(Left)			
Diagonal	Width		Height		wide	tele	Lens Shift MAX(Right)	Lens Shift (calculated)	Lens Shift MIN(Left)						
inch	mm	inch	mm	inch	mm	inch	mm	inch	mm	inch	mm				
50	1270	42	1077	26	673	54.3	1380	127.1	3228	8.5	215	8.5	215	-8.5	-215
60	1524	51	1292	32	808	65.6	1665	152.8	3882	10.2	258	10.2	258	-10.2	-258
80	2032	68	1723	42	1077	88.0	2235	204.3	5189	13.6	345	13.6	345	-13.6	-345
90	2286	76	1939	48	1212	99.2	2520	230.0	5842	15.3	388	15.3	388	-15.3	-388
100	2540	85	2154	53	1346	110.4	2804	255.7	6496	17.0	431	17.0	431	-17.0	-431
120	3048	102	2585	64	1615	132.8	3374	307.2	7803	20.4	517	20.4	517	-20.4	-517
150	3810	127	3231	79	2019	166.5	4229	384.4	9763	25.4	646	25.4	646	-25.4	-646
180	4572	153	3877	95	2423	200.2	5084	461.6	11724	30.5	775	30.5	775	-30.5	-775
200	5080	170	4308	106	2692	222.6	5654	513.0	13031	33.9	862	33.9	862	-33.9	-862
240	6096	204	5169	127	3231	267.4	6793	615.9	15645	40.7	1034	40.7	1034	-40.7	-1034
270	6858	229	5816	143	3635	301.1	7648	693.1	17605	45.8	1163	45.8	1163	-45.8	-1163
300	7620	254	6462	159	4039	334.8	8503	770.3	19566	50.9	1292	50.9	1292	-50.9	-1292
500	12700	424	10770	265	6731	559.1	14201	1284.9	32636	84.8	2154	84.8	2154	-84.8	-2154



A=Vertical distance between lens center and screen center
B=Vertical distance between lens center and bottom of screen (top of screen for ceiling application)
L=Throw distance

NOTE:Distance may vary +/-5%

③ AH-EC21030

Model	EK-850LU EK-1100LU	
Panel	WUXGA	
Aspect	16	10
Lens	AH-EC21030	

Throw Position	
Vmin	-10%V
Vmax	50%V
Hmax	30%H
V	50%V
H	30%H

	a	b
Wide	32	50.1
Tele	64	50.1

$L=aS-b$

L(mm): Throw Distance

S(inch): Screen Size

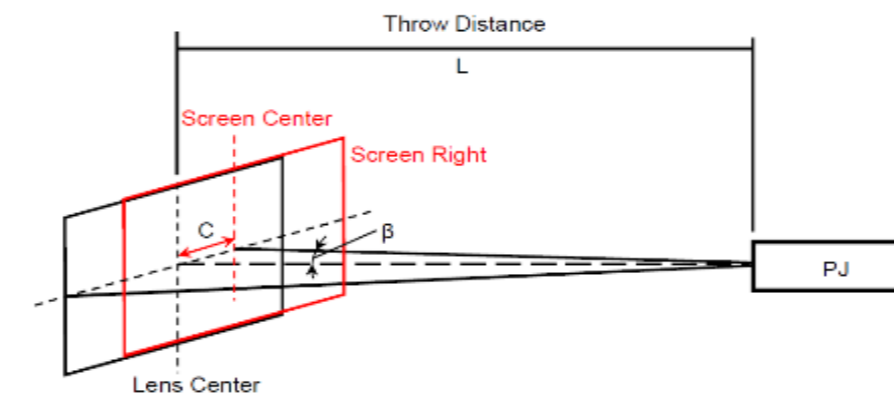
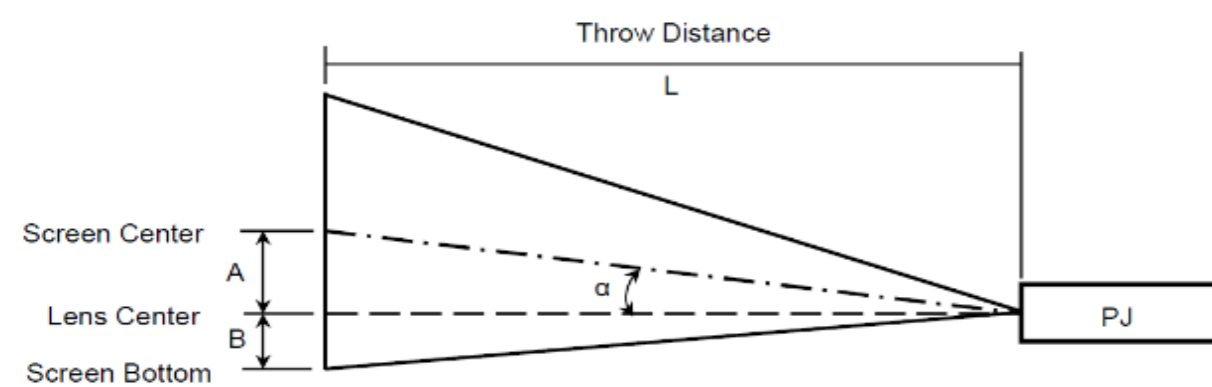
 : When input a number, the value in red will be re-calculated.

 : Specification value on brochure.

Screen Size						Throw Distance				V Shift						Throw Ratio							
						L				A			B										
Diagonal		Width		Height		wide		tele		Lens Shift MAX		Lens Shift (calculated)		Lens Shift MIN		Lens Shift MAX		Lens Shift (calculated)		Lens Shift MIN		wide	tele
inch	mm	inch	mm	inch	mm	inch	mm	inch	mm	inch	mm	inch	mm	inch	mm	inch	mm	inch	mm	inch	mm		
40	1016	34	862	21	538	48.5	1232	98.8	2509	10.6	269	10.6	269	-2.1	-54	0	0	0	0	-12.7	-323	1.41	2.89
60	1524	51	1292	32	808	73.7	1873	149.1	3788	15.9	404	15.9	404	-3.2	-81	0	0	0	0	-19.1	-485	1.45	2.93
80	2032	68	1723	42	1077	99.0	2514	199.5	5068	21.2	538	21.2	538	-4.3	-108	0	0	0	0	-25.4	-646	1.46	2.94
100	2540	85	2154	53	1346	124.2	3155	249.9	6347	26.5	673	26.5	673	-5.3	-135	0	0	0	0	-31.8	-808	1.46	2.95
120	3048	102	2585	64	1615	149.4	3796	300.2	7626	31.8	808	31.8	808	-6.4	-162	0	0	0	0	-38.1	-969	1.47	2.95
150	3810	127	3231	79	2019	187.3	4757	375.8	9546	39.8	1010	39.8	1010	-8.0	-202	0	0	0	0	-47.7	-1212	1.47	2.95
180	4572	153	3877	95	2423	225.1	5718	451.4	11465	47.7	1212	47.7	1212	-9.5	-242	0	0	0	0	-57.2	-1454	1.47	2.96
200	5080	170	4308	106	2692	250.4	6359	501.7	12744	53.0	1346	53.0	1346	-10.6	-269	0	0	0	0	-63.6	-1615	1.48	2.96
240	6096	204	5169	127	3231	300.8	7641	602.5	15303	63.6	1615	63.6	1615	-12.7	-323	0	0	0	0	-76.3	-1939	1.48	2.96
270	6858	229	5816	143	3635	338.7	8603	678.0	17222	71.5	1817	71.5	1817	-14.3	-363	0	0	0	0	-85.9	-2181	1.48	2.96
300	7620	254	6462	159	4039	376.5	9564	753.6	19141	79.5	2019	79.5	2019	-15.9	-404	0	0	0	0	-95.4	-2423	1.48	2.96
400	10160	339	8616	212	5385	502.7	12769	1005.4	25538	106.0	2692	106.0	2692	-21.2	-538	0	0	0	0	-127.2	-3231	1.48	2.96
500	12700	424	10770	265	6731	628.9	15974	1257.3	31936	132.5	3365	132.5	3365	-26.5	-673	0	0	0	0	-159.0	-4039	1.48	2.97

※When screen bottom is lower than lens center, B's value is negative.

Screen Size						Throw Distance				H Shift					
						L				C					
Diagonal		Width		Height		wide		tele		Lens Shift MAX(Right)		Lens Shift (calculated)		Lens Shift MIN(Left)	
inch	mm	inch	mm	inch	mm	inch	mm	inch	mm	inch	mm	inch	mm	inch	mm
40	1016	34	862	21	538	48.5	1232	98.8	2509	10.2	259	10.2	259	-10.2	-259
60	1524	51	1292	32	808	73.7	1873	149.1	3788	15.3	388	15.3	388	-15.3	-388
80	2032	68	1723	42	1077	99.0	2514	199.5	5068	20.4	517	20.4	517	-20.4	-517
100	2540	85	2154	53	1346	124.2	3155	249.9	6347	25.4	646	25.4	646	-25.4	-646
120	3048	102	2585	64	1615	149.4	3796	300.2	7626	30.5	775	30.5	775	-30.5	-775
150	3810	127	3231	79	2019	187.3	4757	375.8	9546	38.1	969	38.1	969	-38.1	-969
180	4572	153	3877	95	2423	225.1	5718	451.4	11465	45.8	1163	45.8	1163	-45.8	-1163
200	5080	170	4308	106	2692	250.4	6359	501.7	12744	50.9	1292	50.9	1292	-50.9	-1292
240	6096	204	5169	127	3231	300.8	7641	602.5	15303	61.1	1551	61.1	1551	-61.1	-1551
270	6858	229	5816	143	3635	338.7	8603	678.0	17222	68.7	1745	68.7	1745	-68.7	-1745
300	7620	254	6462	159	4039	376.5	9564	753.6	19141	76.3	1939	76.3	1939	-76.3	-1939
400	10160	339	8616	212	5385	502.7	12769	1005.4	25538	101.8	2585	101.8	2585	-101.8	-2585
500	12700	424	10770	265	6731	628.9	15974	1257.3	31936	127.2	3231	127.2	3231	-127.2	-3231



A=Vertical distance between lens center and screen center
B=Vertical distance between lens center and bottom of screen (top of screen for ceiling application)
L=Throw distance

NOTE:Distance may vary +/-5%

④ AH-EC24010

Model	EK-850LU EK-1100LU
Panel	WUXGA
Aspect	16 10
Lens	AH-EC24010

Throw Position	
Vmin	-10%V
Vmax	50%V
Hmax	20%H
V	50%V
H	20%H

	a	b
Wide	63.1	-130.6
Tele	126.6	-109.7

L=aS-b
L(mm):Throw Distance
S(inch):Screen Size

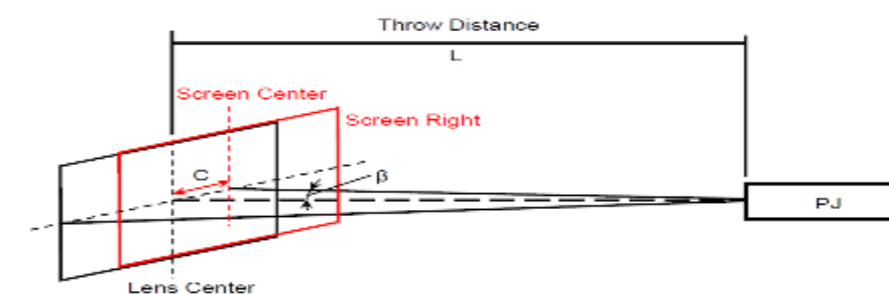
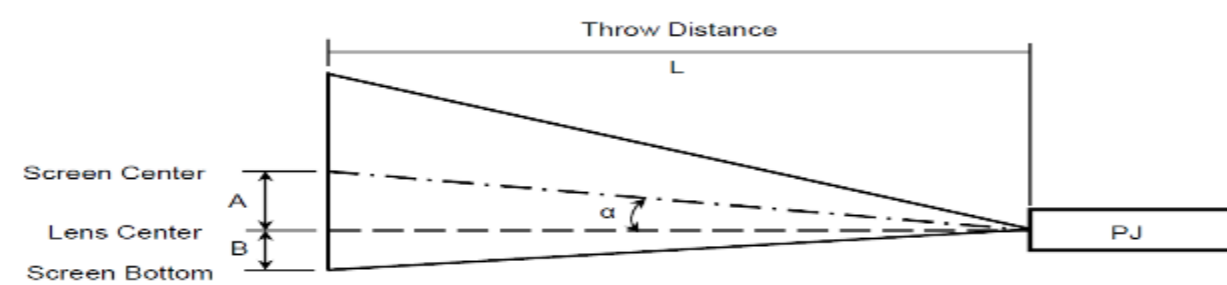
 : When input a number, the value in red will be re-calculated.

 : Specification value on brochure.

Screen Size						Throw Distance				V Shift										Throw Ratio			
						L				A					B								
Diagonal		Width		Height		wide		tele		Lens Shift MAX		Lens Shift (calculated)		Lens Shift MIN		Lens Shift MAX		Lens Shift (calculated)		Lens Shift MIN		wide	tele
inch	mm	inch	mm	inch	mm	inch	mm	inch	mm	inch	mm	inch	mm	inch	mm	inch	mm	inch	mm	inch	mm		
50	1270	42	1077	26	673	129.3	3285	253.5	6440	13.2	337	13.2	337	-2.6	-67	0	0	0	0	-15.9	-404	3.05	5.98
60	1524	51	1292	32	808	154.2	3916	303.4	7706	15.9	404	15.9	404	-3.2	-81	0	0	0	0	-19.1	-485	3.03	5.96
80	2032	68	1723	42	1077	203.9	5178	403.1	10238	21.2	538	21.2	538	-4.2	-108	0	0	0	0	-25.4	-646	3	5.94
90	2286	76	1939	48	1212	228.7	5809	452.9	11504	23.8	606	23.8	606	-4.8	-121	0	0	0	0	-28.6	-727	3	5.93
100	2540	85	2154	53	1346	253.5	6440	502.8	12771	26.5	673	26.5	673	-5.3	-135	0	0	0	0	-31.8	-808	2.99	5.93
120	3048	102	2585	64	1615	303.2	7702	602.5	15303	31.8	808	31.8	808	-6.4	-162	0	0	0	0	-38.2	-969	2.98	5.92
150	3810	127	3231	79	2019	377.8	9595	752	19101	39.7	1010	39.7	1010	-7.9	-202	0	0	0	0	-47.7	-1212	2.97	5.91
180	4572	153	3877	95	2423	452.3	11488	901.5	22899	47.7	1212	47.7	1212	-9.5	-242	0	0	0	0	-57.2	-1454	2.96	5.91
200	5080	170	4308	106	2692	502	12750	1001.2	25431	53	1346	53	1346	-10.6	-269	0	0	0	0	-63.6	-1615	2.96	5.9
240	6096	204	5169	127	3231	601.3	15273	1200.6	30496	63.6	1615	63.6	1615	-12.7	-323	0	0	0	0	-76.3	-1939	2.95	5.9
270	6858	229	5816	143	3635	675.8	17166	1350.2	34294	71.5	1817	71.5	1817	-14.3	-363	0	0	0	0	-85.9	-2181	2.95	5.9
300	7620	254	6462	159	4039	750.4	19059	1499.7	38092	79.5	2019	79.5	2019	-15.9	-404	0	0	0	0	-95.4	-2423	2.95	5.9
500	12700	424	10770	265	6731	1247.2	31678	2496.6	63414	132.5	3365	132.5	3365	-26.5	-673	0	0	0	0	-159	-4039	2.94	5.89

※When screen bottom is lower than lens center, B's value is negative.

Screen Size						Throw Distance				H Shift					
						L				C					
Diagonal		Width		Height		wide		tele		Lens Shift MAX(Right)		Lens Shift (calculated)		Lens Shift MIN(Left)	
inch	mm	inch	mm	inch	mm	inch	mm	inch	mm	inch	mm	inch	mm	inch	mm
50	1270	42	1077	26	673	129.3	3285	253.5	6440	8.5	215	8.5	215	-8.5	-215
60	1524	51	1292	32	808	154.2	3916	303.4	7706	10.2	258	10.2	258	-10.2	-258
80	2032	68	1723	42	1077	203.9	5178	403.1	10238	13.6	345	13.6	345	-13.6	-345
90	2286	76	1939	48	1212	228.7	5809	452.9	11504	15.3	388	15.3	388	-15.3	-388
100	2540	85	2154	53	1346	253.5	6440	502.8	12771	17	431	17	431	-17	-431
120	3048	102	2585	64	1615	303.2	7702	602.5	15303	20.4	517	20.4	517	-20.4	-517
150	3810	127	3231	79	2019	377.8	9595	752	19101	25.4	646	25.4	646	-25.4	-646
180	4572	153	3877	95	2423	452.3	11488	901.5	22899	30.5	775	30.5	775	-30.5	-775
200	5080	170	4308	106	2692	502	12750	1001.2	25431	33.9	862	33.9	862	-33.9	-862
240	6096	204	5169	127	3231	601.3	15273	1200.6	30496	40.7	1034	40.7	1034	-40.7	-1034
270	6858	229	5816	143	3635	675.8	17166	1350.2	34294	45.8	1163	45.8	1163	-45.8	-1163
300	7620	254	6462	159	4039	750.4	19059	1499.7	38092	50.9	1292	50.9	1292	-50.9	-1292
500	12700	424	10770	265	6731	1247.2	31678	2496.6	63414	84.8	2154	84.8	2154	-84.8	-2154



A=Vertical distance between lens center and screen center
B=Vertical distance between lens center and bottom of screen (top of screen for ceiling application)
L=Throw distance

NOTE:Distance may vary +/-5%

⑤ AH-EC23030

Model	EK-850LU EK-1100LU	
Panel	WUXGA	
Aspect	16	10
Lens	AH-EC23030	

Throw Position	
Vmin	-10%V
Vmax	50%V
Hmax	30%H
V	50%V
H	30%H

	a	b
Wide	100.8	193.8
Tele	153.3	193.8

$L=aS-b$

L(mm): Throw Distance

S(inch): Screen Size

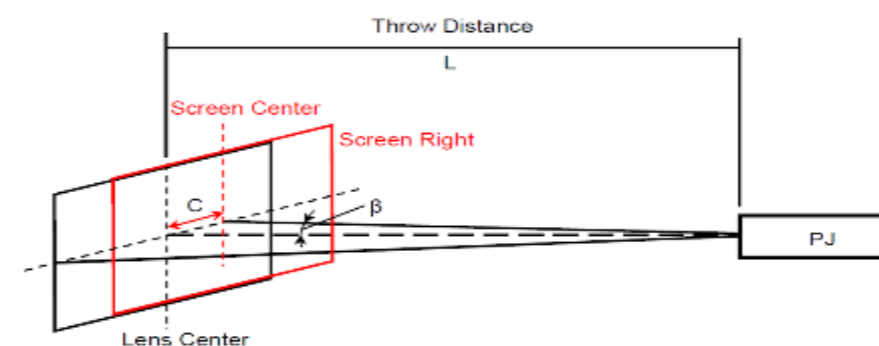
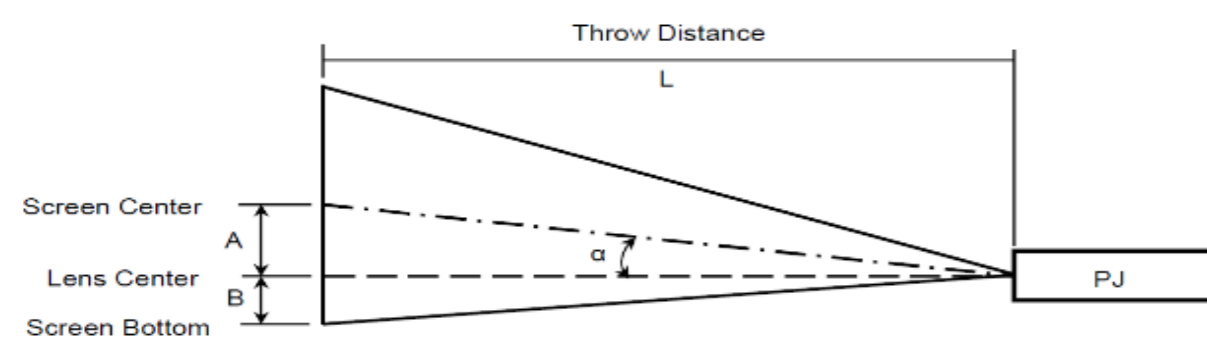
 : When input a number, the value in red will be re-calculated.

 : Specification value on brochure.

Screen Size						Throw Distance				V Shift						Throw Ratio							
						L				A			B										
Diagonal		Width		Height		wide		tele		Lens Shift MAX		Lens Shift (calculated)		Lens Shift MIN		Lens Shift MAX		Lens Shift (calculated)		Lens Shift MIN		wide	tele
inch	mm	inch	mm	inch	mm	inch	mm	inch	mm	inch	mm	inch	mm	inch	mm	inch	mm	inch	mm	inch	mm		
60	1524	51	1292	32	808	230.5	5855	354.4	9001	15.9	404	15.9	404	-3.2	-81	0.0	0	0.0	0	-19.1	-485	4.53	6.96
80	2032	68	1723	42	1077	309.9	7872	475.0	12066	21.2	538	21.2	538	-4.2	-108	0.0	0	0.0	0	-25.4	-646	4.57	7.00
90	2286	76	1939	48	1212	349.6	8880	535.4	13599	23.8	606	23.8	606	-4.8	-121	0.0	0	0.0	0	-28.6	-727	4.58	7.02
100	2540	85	2154	53	1346	389.3	9888	595.7	15131	26.5	673	26.5	673	-5.3	-135	0.0	0	0.0	0	-31.8	-808	4.59	7.02
120	3048	102	2585	64	1615	468.7	11905	716.4	18196	31.8	808	31.8	808	-6.4	-162	0.0	0	0.0	0	-38.2	-969	4.61	7.04
150	3810	127	3231	79	2019	587.8	14929	897.4	22794	39.7	1010	39.7	1010	-7.9	-202	0.0	0	0.0	0	-47.7	-1212	4.62	7.06
180	4572	153	3877	95	2423	706.9	17954	1078.4	27391	47.7	1212	47.7	1212	-9.5	-242	0.0	0	0.0	0	-57.2	-1454	4.63	7.06
200	5080	170	4308	106	2692	786.2	19970	1199.1	30456	53.0	1346	53.0	1346	-10.6	-269	0.0	0	0.0	0	-63.6	-1615	4.64	7.07
240	6096	204	5169	127	3231	945.0	24003	1440.4	36586	63.6	1615	63.6	1615	-12.7	-323	0.0	0	0.0	0	-76.3	-1939	4.64	7.08
270	6858	229	5816	143	3635	1064.1	27028	1621.4	41184	71.5	1817	71.5	1817	-14.3	-363	0.0	0	0.0	0	-85.9	-2181	4.65	7.08
300	7620	254	6462	159	4039	1183.1	30052	1802.4	45781	79.5	2019	79.5	2019	-15.9	-404	0.0	0	0.0	0	-95.4	-2423	4.65	7.08
400	10160	339	8616	212	5385	1580.1	40134	2405.7	61106	106.0	2692	106.0	2692	-21.2	-538	0.0	0	0.0	0	-127.2	-3231	4.66	7.09
500	12700	424	10770	265	6731	1977.0	50216	3009.1	76431	132.5	3365	132.5	3365	-26.5	-673	0.0	0	0.0	0	-159.0	-4039	4.66	7.10

※When screen bottom is lower than lens center, B's value is negative.

Screen Size						Throw Distance				H Shift					
						L				C					
Diagonal		Width		Height		wide		tele		Lens Shift MAX(Right)		Lens Shift (calculated)		Lens Shift MIN(Left)	
inch	mm	inch	mm	inch	mm	inch	mm	inch	mm	inch	mm	inch	mm	inch	mm
60	1524	51	1292	32	808	230.5	5855	354.4	9001	15.3	388	15.3	388	-15.3	-388
80	2032	68	1723	42	1077	309.9	7872	475.0	12066	20.4	517	20.4	517	-20.4	-517
90	2286	76	1939	48	1212	349.6	8880	535.4	13599	22.9	582	22.9	582	-22.9	-582
100	2540	85	2154	53	1346	389.3	9888	595.7	15131	25.4	646	25.4	646	-25.4	-646
120	3048	102	2585	64	1615	468.7	11905	716.4	18196	30.5	775	30.5	775	-30.5	-775
150	3810	127	3231	79	2019	587.8	14929	897.4	22794	38.2	969	38.2	969	-38.2	-969
180	4572	153	3877	95	2423	706.9	17954	1078.4	27391	45.8	1163	45.8	1163	-45.8	-1163
200	5080	170	4308	106	2692	786.2	19970	1199.1	30456	50.9	1292	50.9	1292	-50.9	-1292
240	6096	204	5169	127	3231	945.0	24003	1440.4	36586	61.1	1551	61.1	1551	-61.1	-1551
270	6858	229	5816	143	3635	1064.1	27028	1621.4	41184	68.7	1745	68.7	1745	-68.7	-1745
300	7620	254	6462	159	4039	1183.1	30052	1802.4	45781	76.3	1939	76.3	1939	-76.3	-1939
400	10160	339	8616	212	5385	1580.1	40134	2405.7	61106	101.8	2585	101.8	2585	-101.8	-2585
500	12700	424	10770	265	6731	1977.0	50216	3009.1	76431	127.2	3231	127.2	3231	-127.2	-3231



A=Vertical distance between lens center and screen center
B=Vertical distance between lens center and bottom of screen (top of screen for ceiling application)
L=Throw distance

NOTE: Distance may vary +/-5%